

DIGITAL V TYPE CALIPERS

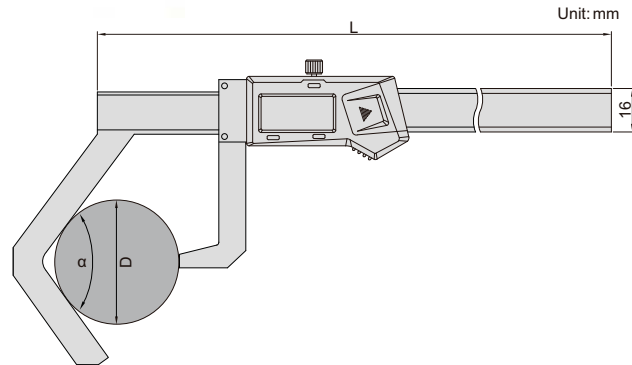
DIRECT READING,
CALCULATION IS NOT REQUIRED

DATA
OUTPUT



1529-5

- Non waterproof
- Measure the outside diameter of odd number of flutes (such as taps, reamers, end mills and gears)
- Resolution: 0.01mm/0.0005"
- Buttons: on/off, zero, mm/inch
- Battery CR2032
- Automatic power off, move the digital unit to turn on power
- Data output
- Made of stainless steel
- Optional accessory: 50mm calibration cylinder (code **6316-50**), data output cable (code **7302-21**) wireless data transmission (transmitter code **7315-21**, need receiver)



50mm calibration cylinder (optional)
code **6316-50**



(mm)

Code	Range (D)	Flutes	Accuracy	Angleα	L
1529-3	Ø50-Ø200mm/2-8" DIA	3	±0.06mm	60°	390
1529-5	Ø50-Ø200mm/2-8" DIA	5	±0.06mm	108°	318
1529-19	Ø50-Ø200mm/2-8" DIA	19	±0.06mm	85°15'47"	336
1529-23	Ø50-Ø200mm/2-8" DIA	23	±0.06mm	70°26'5"	362
1529-31	Ø50-Ø200mm/2-8" DIA	31	±0.06mm	75°29'2"	355